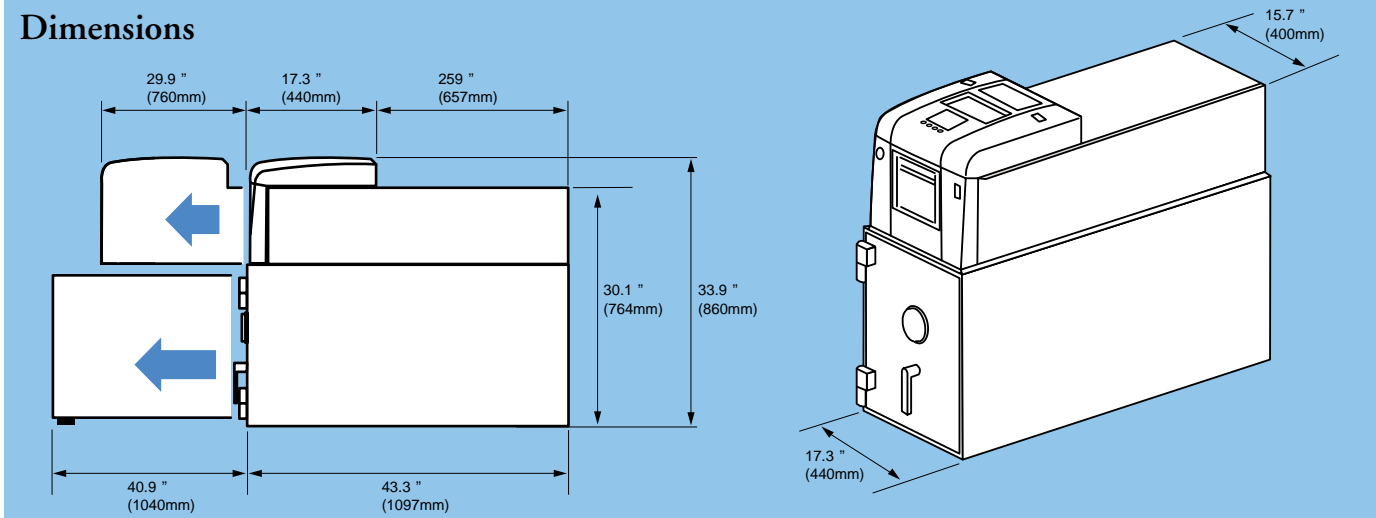


Specifications

Capacity	Deposit	: 150 Notes
	Dispense	: 100 Notes
Speed	Deposit	: 8 Notes Per Second
	Dispense	: 8 Notes Per Second
Escrow Unit		: 400 Notes
Currency Counter/Discriminator		: Uses Escrow Unit / 400 Notes
Storage Units		: 6 Stackers
		: 1000 Notes Per Stacker
		: Total 6000 Notes
Divert/Reject Bin		: 200 Notes
Dimensions / Weight		: 17.3"(W) x 43.3"(D) x 33.9"(H) (440x 1097x860 mm) /1003 lbs (455kg)
Security		: UL291 - 24 Hour Safe And Alarm Connectivity
Users		: Dual Tellers
Interface		: Two RS-232C / LAN
Power Supply		: Voltage: AC85 - 264V
		Frequency: 50/60Hz (47-63Hz)
		Max.power consumption: approx. 648W

Dimensions



* Specifications are subject to change without notice.
 * When using RBU-11, please carefully read the instruction manual to ensure correct equipment usage.
 * Copyright (c) 2005 by Glory Shoji Co., Ltd. All rights reserved.

GLORY®

**CURRENCY RECYCLER
RBU-11**



UL-291 24hr

GLORY®

Quality the World Counts on

GLORY (U.S.A.) INC.
<http://www.gloryusainc.com>
Corporate Headquarters
 10 York Avenue, West Caldwell, NJ 07006
 Tel: +1-800-999-4510 / Fax: +1-973-228-7114
System Products Engineering Center
 11205-A Knott Avenue, Cypress, CA 90630
 Tel: +1-800-897-1879 / Fax: +1-714-897-9415
North Central Region
 2506 Wisconsin Avenue, Downers Grove, IL 60515
 Tel: +1-888-456-7987 / Fax: +1-630-241-4482

Northeast Region
 10 York Avenue, West Caldwell, NJ 07006
 Tel: +1-800-654-4564 / Fax: +1-973-228-8796

South Central Region
 623 Distributors Row, Suite A Harahan, LA 70123
 Tel: +1-800-609-8088 / Fax: +1-504-734-5988

Southeast Region
 377 Carowinds Blvd., Suite 124., Ft. Mill, SC29708
 Tel: +1-800-847-9414 / Fax: +1-803-548-8851

Southwest Region
 1600 N. Interstate 35-E, Suite 103, Carrollton, TX 75006
 Tel: +1-800-395-0411 / Fax: +1-972-323-9043
Western Region
 11205-B Knott Avenue, Cypress, CA 90630
 Tel: +1-800-762-7824 / Fax: +1-800-710-9803
Nevada Region
 3220 Procyon Avenue, Las Vegas, NV 89102
 Tel: +1-888-439-8262 / Fax: +1-702-252-0645

GLORY SHOJI CO., LTD.
<http://www.glory-international.com>
 4-8-17, Nishitenma, Kita-ku, Osaka, 530-8571, Japan
 Tel: +81-6-6362-7355 / Fax: +81-6-6365-1146

Manufactured by
GLORY LTD.
<http://www.glory.co.jp>
 3-1 Shimoteno 1-Chome Himeji, Hyogo, 670-8567 Japan
 Tel: +81-792-97-3088 / Fax: +81-792-94-1094

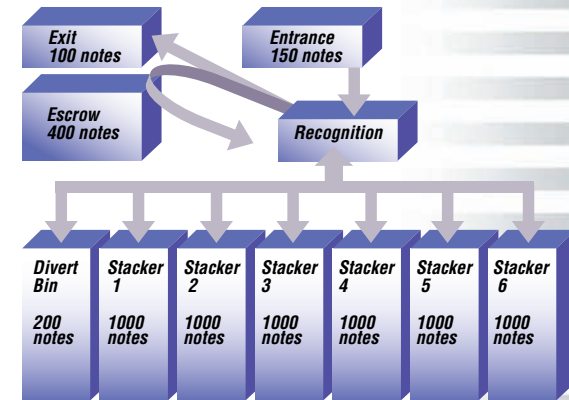
Distributed by:

- Increase Teller Productivity
- Reduce Expenses
- Improve Cash Optimization

- Reduce Teller Differences
- Increase Cross-Selling Opportunities
- Enhance Branch Security

Recycling System

Operating cash is replenished and depleted by transactions processed throughout the day.



UL-291 24hr

The RBU-11 Currency Recycler dispenses, accepts, sorts by denomination and stores currency transactions through a single source, and functions as a teller cash drawer.

Easy Access

Cash can be manually removed from stackers to perform audits or in case of power failure.



6 Stackers in UL 291 Safe

Easy Maintenance

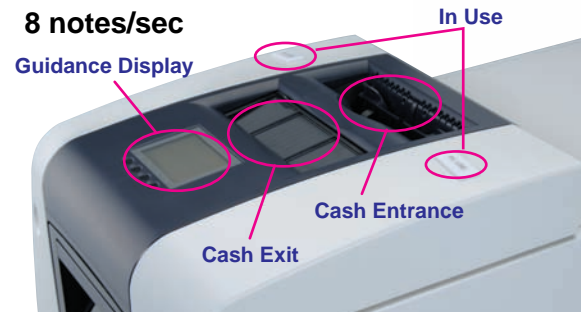
Front-loading stacker units and maintenance area allow easy access for cleaning and maintenance.



Display provides quick view of stacker levels and error codes.

Increase Teller Productivity

Faster speed allows tellers to process more transactions quickly, increasing productivity, and reducing customer wait times.



8 notes/sec

Increase Productivity and Reduce Expenses

Increase staff productivity by quickly and efficiently processing all currency transactions through the RBU-11

Reduce customer wait times in line to be serviced

Reduce time spent manually verifying incoming shipments and preparing outgoing shipments, and customer currency orders

Eliminate dual-manual verification for cash bought and sold between tellers or the cash vault

Increase cross-selling opportunities at the teller window

Reduce staff required for branches open with extended hours and on weekends, eliminating overtime

Increase accuracy and reduce staff turnover due to teller differences.

Manage currency inventory levels reducing: Cash-In-Transit; total cash maintained in the branch, and at the individual teller level

Reduce back office expenses associated with cross-shipping of cash orders to and from the branches

Reduce armored courier expenses and increase cash optimization by limiting cross-shipping



UL-291 24hr

Space Saving Solutions

- Fits under standard teller counter configuration.
- Can be placed under or beside a desk.
- Adaptable to kiosk-style, open floor plan environment.
- Two tellers can be assigned to each RBU-11 at one time, in addition to additional tellers using the Vault "Buy/Sell" function.



Alarms and Security

- UL291-24hour safe allows money to be stored overnight, and alarms to be connected into the bank's alarm monitoring system.
- Maintains an Electronic Journal of all transactions.

Real Escrow

Bills are stored until the transaction is accepted by the teller. If the transaction is cancelled, the original bills are returned.

Utilizing the Escrow feature, the RBU-11 also functions as a Currency Counter/Discriminator.

